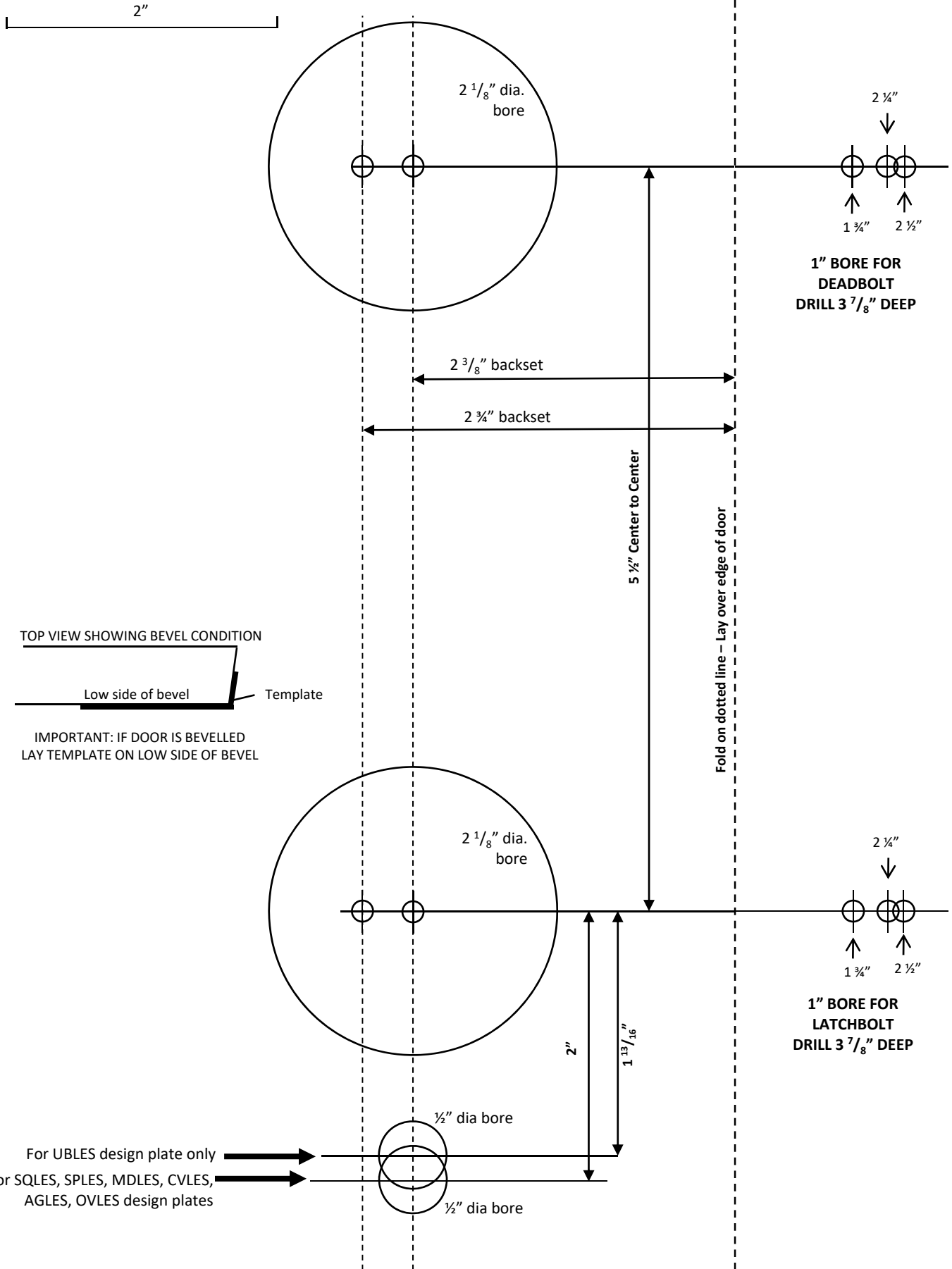


TUBULAR LEVER x LEVER ENTRYSETS

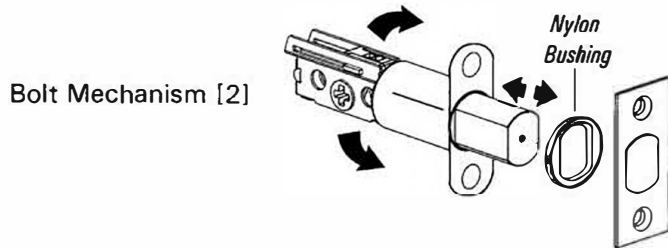
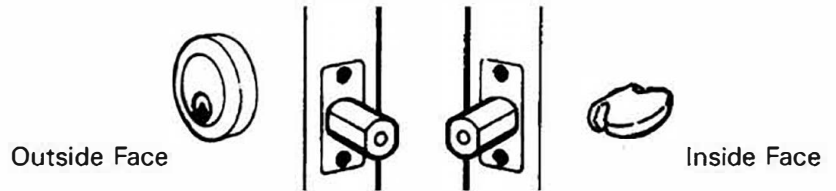
IMPORTANT: VERIFY TEMPLATE IS PRINTED TO SCALE BEFORE USING AS A DRILLING TEMPLATE



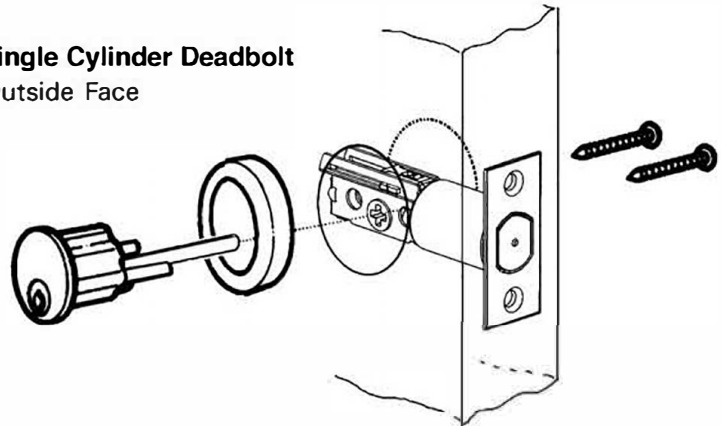
Template for Lever x Lever Tubular Entrysets

INSTALLATION INSTRUCTIONS Cylinder Deadbolt

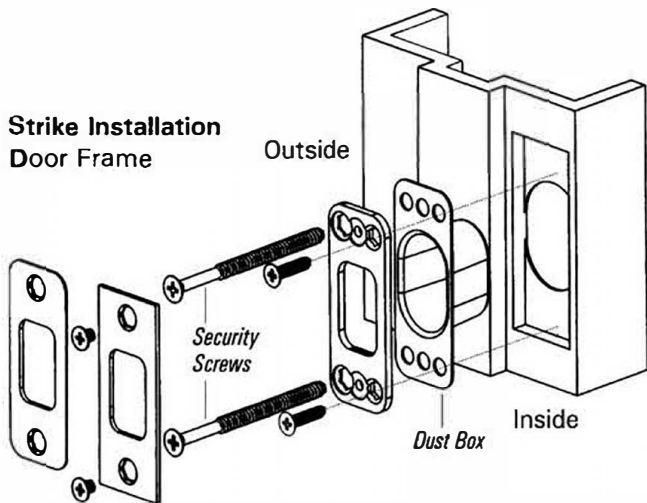
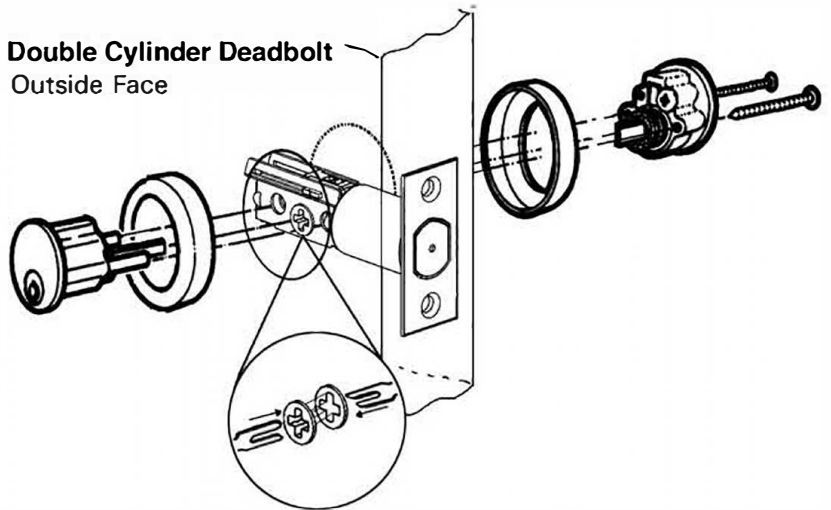
- 1) Prepare the door with a 2 1/8" face bore and a 1" edge boor.
- 3) Insert deadbolt into edge of door while holding the preferred (radiused or square) face plate onto the door edge. Chisel out the area marked by the face plate to a depth of 5/32", or until the face plate is flush with the door edge.
- 4) Install deadbolt in edge boor, with cross hub down. Locate and position the nylon bushing and secure faceplate with two screws provided.
- 5) Turn the cross hub to place deadbolt in the unlocked position.
- 6) Position the outside pieces of the deadbolt trim with the tailpieces in the vertical position.
- 7) **Single Deadbolt.** With the thumbturn in a vertical position, locate the inside piece of the deadbolt trim onto the tailpiece and fasten the inside piece to the outside piece with machine screws provided.
- 8) **Double Deadbolt.** Locate horizontally the inside tailpiece through the cross hub and check that the key can be withdrawn when deadbolt is locked and unlocked. If not, turn the inside tailpiece horizontally through 180° and re-locate. Fasten inside and outside piece with machine screws provided.



Single Cylinder Deadbolt Outside Face



Double Cylinder Deadbolt Outside Face



ENTRY SETS
43, 50 & 52 FUNCTIONS

*Ashley
Norton*

210 West Parkway, Suite 1, Pompton Plains, New Jersey 07444, United States
Phone: 1- 800 393 1097 Fax: 1- 800 393 1098